

# User Manual

Metacon-Next RGC EI(1) 60 / EW 60



◀ **Metacon-Next B.V.**  
Zuidbaan 450  
2841 MD Moordrecht  
The Netherlands  
Tel. : +31 (0) 182 23 15 25  
[www.metacon-next.com](http://www.metacon-next.com)  
[info@metacon-next.com](mailto:info@metacon-next.com)

**Metacon-Next B.V.**  
Randweg 19  
8304 AS Emmeloord  
The Netherlands  
Tel. : +31 (0) 182 23 15 25  
[www.metacon-next.com](http://www.metacon-next.com)  
[info@metacon-next.com](mailto:info@metacon-next.com)

**This is a manual translated into English**

<b>1</b>	<b>Preface</b> .....	<b>3</b>
<b>2</b>	<b>Introduction</b> .....	<b>4</b>
<b>3</b>	<b>Safety</b> .....	<b>5</b>
3.1	<i>Safety Features</i> .....	5
3.2	<i>Safety guidelines</i> .....	6
3.3	<i>Residual risks</i> .....	7
<b>4</b>	<b>Usage instructions</b> .....	<b>8</b>
4.1	<i>Normal use (not during fire alarm/calamity)</i> .....	8
4.2	<i>Self-closing function</i> .....	9
4.3	<i>Actions after improper use</i> .....	9
<b>5</b>	<b>Technical Specifications</b> .....	<b>9</b>
<b>6</b>	<b>Product</b> .....	<b>9</b>
<b>7</b>	<b>Installation preparation</b> .....	<b>10</b>
7.1	<i>Essential tools for installation</i> .....	10
<b>8</b>	<b>Installation Instructions</b> .....	<b>11</b>
<b>9</b>	<b>Initial use</b> .....	<b>24</b>
<b>10</b>	<b>Maintenance, faults and repairs</b> .....	<b>24</b>
10.1	<i>Regular maintenance</i> .....	24
10.2	<i>Cleaning</i> .....	24
10.3	<i>Faults and repairs</i> .....	24
<b>11</b>	<b>Storage and transport</b> .....	<b>25</b>
<b>12</b>	<b>Environment and disposal</b> .....	<b>25</b>
	<b>Appendix A: "RGC EI(1) 60 – EW 60 - Installation data"</b> .....	<b>26</b>
	<b>Appendix B: "RGC EI(1) 60 – EW 60 - Maintenance Instructions"</b> .....	<b>27</b>
	<b>Appendix C: "RGC EI(1) 60 – EW 60 - Maintenance Log"</b> .....	<b>28</b>

## 1 Preface

Before using the door, please observe the safety instructions in this document and the instructions for use.

Metacon-Next only supplies products to the "specialist retailers". This means that Metacon-Next only delivers a door. The installation, service and maintenance by and under the responsibility of the "specialist retailer" is taken care of.

Metacon-Next only supplies CE marked doors in accordance with EN 13241 and/or EN 16034.

If assembly and installation of the fire resistant door is done by third parties and changes are made to the door by the installation company, this shall be done with material supplied by Metacon-Next, registered under the serial number of the door.

When the installation company makes this modification in accordance with the current European legislation, it is obliged to mark the installation CE itself.

It is the responsibility of the installation company to install the door in accordance with the operating instructions. The operating instructions should remain with the door at all times.

Type marking with the serial number is attached at the following location: On the drive side on the guide, approximately 1600mm from the bottom. This sticker must not be removed or covered, this information is required for the supply of repair and/or maintenance items, among other things.

Metacon-Next shall not be liable for unsafe conditions, accidents, damages and injuries resulting from, for example:

- Disregarding warnings and/or regulations as displayed on the fire resistant door and/or in the owner's manual;
- Insufficient and/or improper maintenance, Metacon-Next sets a minimum frequency of once a year maintenance as necessary;
- Modifications to the door and accessories by third parties. This also includes the use of other than prescribed replacement parts (e.g. a battery), incorrect connection or setting, modification of the control unit and control program.
- Improper installation or assembly of the product.
- Local (country specific) additional regulations.

## Reference documents:

- EN 13241-1; EN 16034;
- Terms and Conditions of the Metaalunie;
- Installation Drawing Metacon-Next;
- Package receipt with item numbers;
- User manuals from the motor and controller supplier;
- User manuals of any included accessories;
- DoP (Declaration Of Performance).

The installation company must follow all instructions in the installation instructions. The user must follow all instructions in the user manual. The user manual should be handed over to the user upon completion to be left at the door.

## © COPYRIGHT

Metacon-Next B.V. holds the copyright for this manual. All worldwide rights reserved. It is not permitted to copy, duplicate, translate, edit and store this manual or portions thereof in any electronic medium without prior written permission from the copyright holder.

## 2 Introduction

This fire resistant door is mainly intended to separate interconnected spaces (fire compartments) in case of fire and/or smoke development. The purpose of this is to prevent the fire from spreading to other rooms and/or adjacent properties. The fire resistant door can be controlled by a fire alarm system but can also be controlled by a stand-alone alarm system.

The CE marking that is issued is only valid for those performances that are stated in the Declaration Of Performance (DoP), which is supplied with each door.

In accordance with the EN 12635 standard, in this document, after the instructions for use, the installation instructions and regulations for first use will follow.

### 3 Safety

When installing the fire resistant door, the (safety) regulations applicable to the situation must be observed, for example, the Working Conditions Act. In addition to the regulations, the instructions in this document must be strictly followed. When installing electrical components, the instructions supplied by the manufacturer of these components must be observed.

Since Metacon-Next is only a manufacturer/supplier of "semi-finished products," it is the responsibility of the installation company to ensure that they work in accordance with the relevant instructions and regulations.

Any damage or injury incurred as a result of non-compliance with this user manual, maintenance instructions and improper use cannot be recovered from the fire resistant door manufacturer.

#### 3.1 Safety Features

The installation may be equipped with the following safety devices.

- Roll-off / fall protection / slack cable protection / crushing protection / switching protection.
- Smoke and temperature detectors and/or fire alarm system.
- Shielding below 2500 [mm] from an accessible floor, mandatory in case of a crushing hazard (NEN-EN 294);
- ATEX components, if applicable, see additional manual/instruction

See the product specifications in Chapter 5 for installed features.

### 3.2 Safety guidelines

- The fire resistant door may only be operated by persons who have taken note of the operating instructions. Under no circumstances may the door be operated by children or persons with reduced physical, sensory or mental capacity. The door may only be used in the manner described in section 4.1.
- The fire resistant door is designed so that the door will always close mechanically failsafe in the event of a fire or smoke alarm. During mechanical failsafe the door will not signal persons and/or materials, in accordance with EN 13241 an optical and acoustic warning signal will be activated. (Exceptions to this rule are possible in consultation with or after approval by the competent authority, the installation company or end user must arrange for this approval to be granted).
- In exceptional situations, the fire resistant door can be supplied with a non-mechanical failsafe system, this door should be closed at all times, it can be used as a passage but should then immediately close again.
- When the door is installed in an escape route ensure that the door is suitable for intended use (escape door). (EN 16034-2) (EN 14351-1 and 2)
- In the case of hold-to-open/hold-to-close operation, the control switch must be positioned so that the operator has a clear view of the opening/closing of the door.
- Before operating, check that there is no visible damage to the door, if damage is found the supplier should be asked to repair the damage, a door with damage should not be operated.
- Before and during operation, check that there are no other persons within an area of  $\pm 2$  [m] of the door.
- Before and during operation, check that there are no obstacles under the door.
- During maintenance/inspection of the fire resistant door the installation must be powered down and ensure that it remains powered down.
- Prevent entrapment of persons in the room. If persons are still present, the door should remain open if there is no means of escape.
- When using a mechanical failsafe motor, the door will close immediately upon power failure unless a backup system is present, it will hold the door open until a fire alarm is activated or after the critical voltage of the backup system is reached.
- We recommend that the installation be grounded, with an ATEX version this is mandatory.

### **3.3 Residual risks**

#### ***In case of regular use:***

- Entrapment can occur when the fire resistant door closes upon fire alarm. The mechanical failsafe closing of the fire resistant door does not take into account the possible presence of persons. The probability of a person becoming trapped is very low due to the low speed of the closing movement and the optical and acoustic warning signals.
- When a gravitational self-closing (failsafe) system on our products / the fire resistant doors, 2 optical and 1 acoustic signals with autonomous power supplies will be provided in accordance with standard EN 12604-2000 / EN 13241-2016;

**It is strictly forbidden to place goods/materials in the "run" of the closing and/or opening door leaf.**

#### ***In case of maintenance:***

- During maintenance/inspection of the fire resistant door the installation must be disconnected from the power supply and ensure that it remains disconnected from the power supply. Due to voltages in the installation there remains a risk of electric shock.
- Upon inspection of the movement system, crushing hazard may occur when the door comes/is in motion.

Property of Metacon-Next B.V.

## 4 Usage instructions

### 4.1 Normal use (not during fire alarm/calamity)

Before and during the operation of the door, the following steps should be observed;

- Before you operate the door, you should take note of the safety instructions in Chapter 3.
- Check that there is nothing or no one around, against or under the door while operating the door, do not start or stop operating the door immediately if there is.
- You operate the door by means of the control device, usually push buttons or a key switch. While operating the door, you stay at a sufficient distance but within sight of the moving part of the door, 2-8 mtr.
- Make sure that while operating the door, it actually moves in the correct direction, if it does not, stop operating and/or press the stop button and contact the supplier immediately.
- Keep a view of the door at all times during movement.
- Make sure the door is fully opened when opening and fully closed when closing to promote durability.
- If irregularities are detected while operating the door, stop operating and contact the supplier. Possibly an unsafe situation arises, cordon off the area so that the passageway cannot be used, e.g., if the door is not fully opened or closed.

The door can be protected against entrapment of objects and/or persons in several ways.

**NOTE:** Holding the control will override the protection.

- In the case of hold-to-open/hold-to-close operation, the door will stop immediately after releasing the control.
- If an safety edge protection function is present, the door will automatically go back up after contact with an object and/or a person. Possibly a set of photocells can be added to the safety edge protection function.
- When a set of photocell curtains is installed, the door will not close when the sensor detects an object in the path of this security. Please note that this only works in the line/area of the security sensor. No object and/or person will be detected outside of this.

Note that safety devices are not designed to operate the door!

In order to put the door back into operation after a safety edge/ photocell curtains has been triggered, you must remove the objects and/or persons from the detection area of the safety edges.



## **4.2 Self-closing function**

If the door is in the open position at the moment of "activation" by an (automated) alarm system and mains power failure, it will close automatically. This is done by means of an electric drive with a gravitational failsafe system.

A gravitational failsafe system means that the door can still close by gravity after the failure/loss/breakdown of the electrical facilities. This movement is controlled by a speed limiter. In case of "control" the door will not take into account objects/people under the door and will close immediately.

Optionally, the photocell curtains can be kept temporarily active and closed after a set time with a force lock.

**It is strictly forbidden to place goods/materials in the "run" of the closing and/or opening door leaf.**

## **4.3 Actions after improper use**

If an object has become trapped under the door, and the door has come to a stop as a result, perform the following actions.

- Move the door up carefully, until you can remove the object.
- After the object is removed, you must close the door completely.
- Perform a visual inspection before sending the door open.
- If in doubt or if any of these actions fail, contact the supplier.

## **5 Technical Specifications**

Please refer to the order confirmation and/or packing slip.

## **6 Product**

Please refer to the product leaflet and the optional BOM (Bill Of Material)

## 7 Installation preparation

Before the installation of the door can be started, the following items should be checked:

- Before the installation can begin, the installation company must have familiarized themselves with the contents of this user manual.
- It is the responsibility of the installation company to be aware of the local regulations concerning the installation of the door (e.g. Working Conditions Act).
- Check the work area for accessibility and work space, then cordon off the work area.

Note the following points:

- Check the clear width and height and the available side and top space, the dimensions according to Technical Drawing are leading.
  - Check the mounting surface for obstructions.
  - Check that the surface is level for installation as indicated on the technical drawing.
  - Check that the walls, floor and lintel are perpendicular and straight as shown on the technical drawing.
  - Check that the correct electrical connections are present as shown on the technical drawing.
  - Assess whether the substrate offers sufficient strength for the construction, if in doubt contact the supplier.
- Check all parts against the packing slip and/or order confirmation, and/or refer to the list of all parts against the optional BOM (Bill Of Material) of the user manual.

### 7.1 Essential tools for installation

The required tools cannot be determined by Metacon-Next, as this depends on the installation situation. It is up to the supplier and/or installation company to determine the appropriate tools.

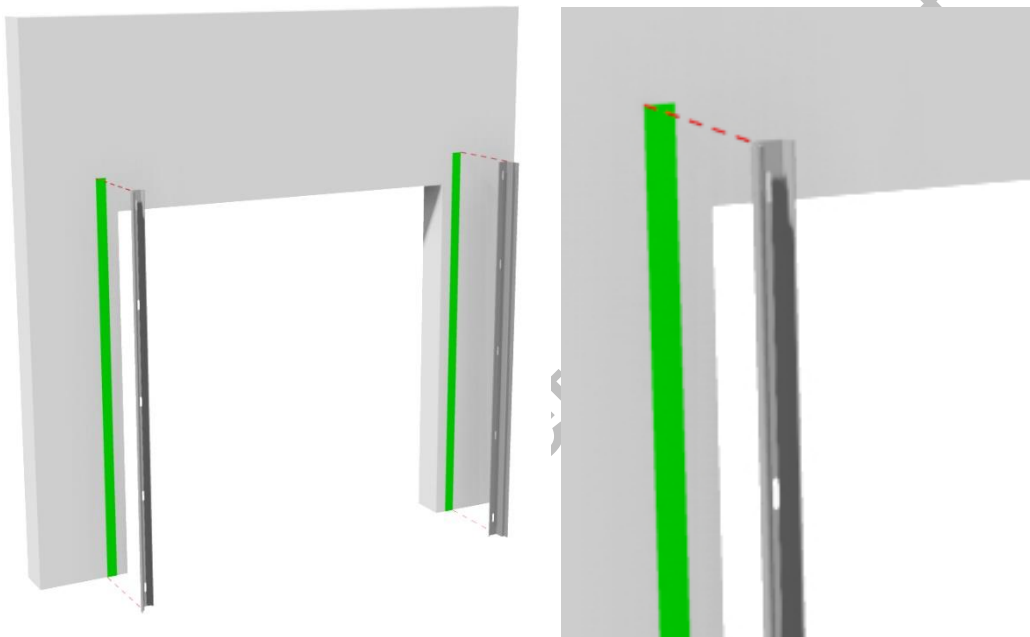
## 8 Installation Instructions

After the installation company has been prepared according to chapter 7, the installation of the door can begin.

**Important: Fasteners are optionally provided by Metacon-Next. Use only fasteners suitable for the intended strength and fire resistance and appropriate to the substrate. Follow the instructions of the fasteners supplied.**

### Step 1: Mounting the guides

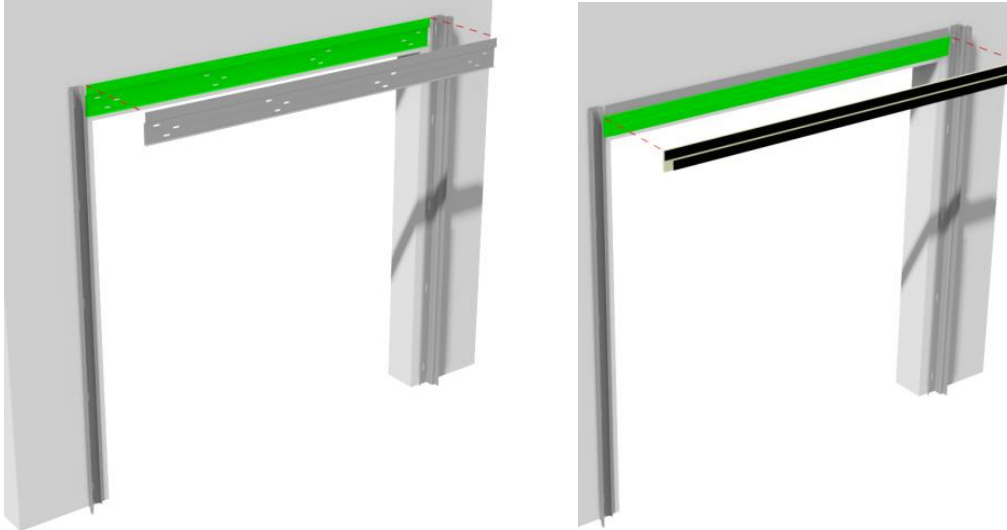
Mount the slides along the width as shown in the Installation Drawing Metacon. Check the width size. Check that the guides are parallel and level.



Property

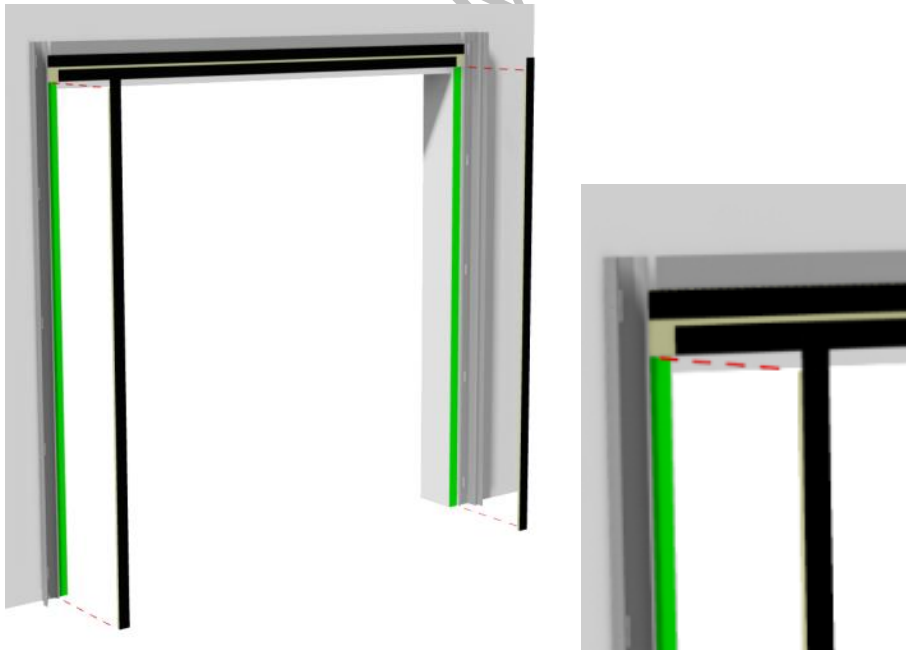
## Step 2: Mounting the wall baffle

Mount the wall baffle at the correct height as shown in the Installation Drawing Metacon (bottom of flame hook profile). Divide the space between the wall baffle and the guides to the left and right equally.



## Step 2 B: Mounting the vertical seals on the flame hook profile

Mount the seals along the width as shown in the Installation Drawing Metacon. Check the width size. Check that the seals are parallel and level.

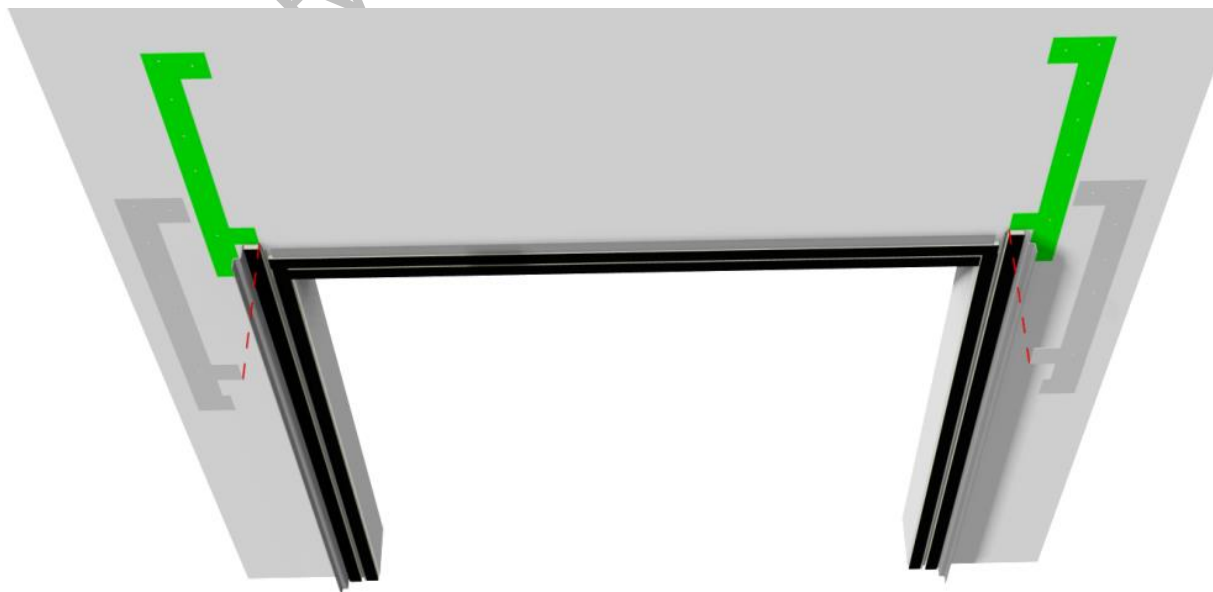


## Mount the vertical seals in the guide profile



### Step 3: Use the drilling template

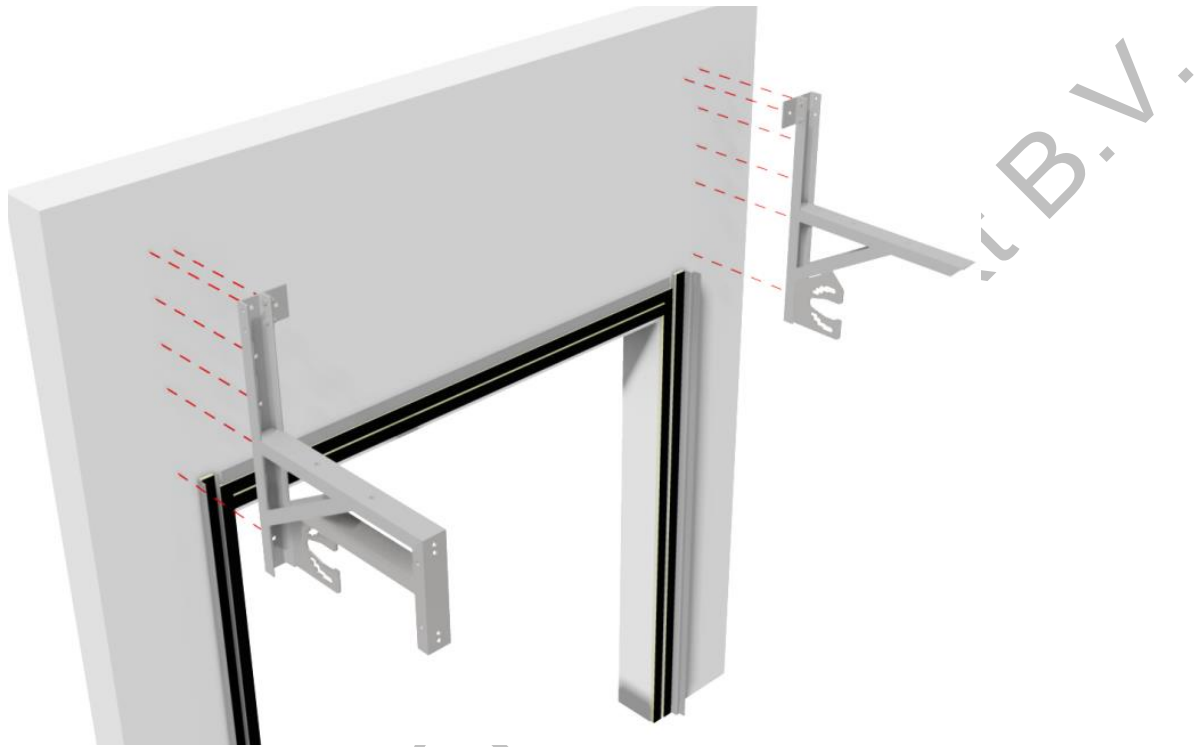
Place the drilling template against and onto the guide as shown in the drawing below. Check that it is level, mark the hole pattern and remove the drilling template. Then drill the holes.



### Step 3b: Mounting of brackets

Remove the tensioner (motor bracket) and L-profile in order to obtain sufficient mounting space to install the rolled-up curtain.

If adjustment brackets for the bearings are provided, the marking arrow should always point towards the wall. Mount the UNP brackets with the pressure roller plates inwards. Make sure the brackets are level, parallel and perpendicular to the wall. Check that the brackets connect with the guides and the wall.



Property of ,

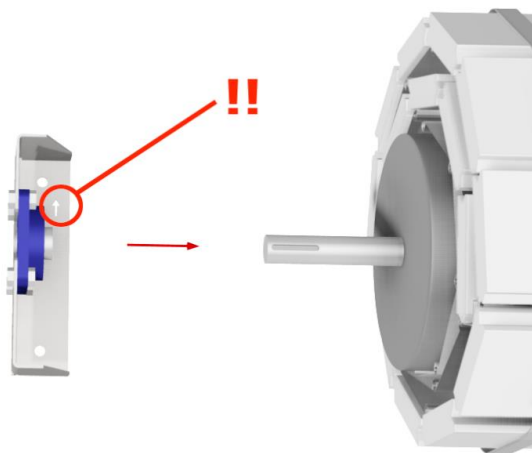
### Step 4a: Preparations for installation of curtain + barrel

Degrease and oil the shaft journals before mounting the bearings onto them.  
Slide the roll-down protection over the shaft and key using the correct direction of rotation.

**ATTENTION:** Check that the roll-down protection is not blocked. If this is the case, it must be repaired! See Roll-down Protection Data Sheet for further instructions.

On the other side, place the bearing over the shaft.  
Tighten one locking screw of the bearing by hand to prevent sliding.

*Note: The figure below is for a situation with the drive on the left.*



### Step 4b: Mounting the curtain + barrel

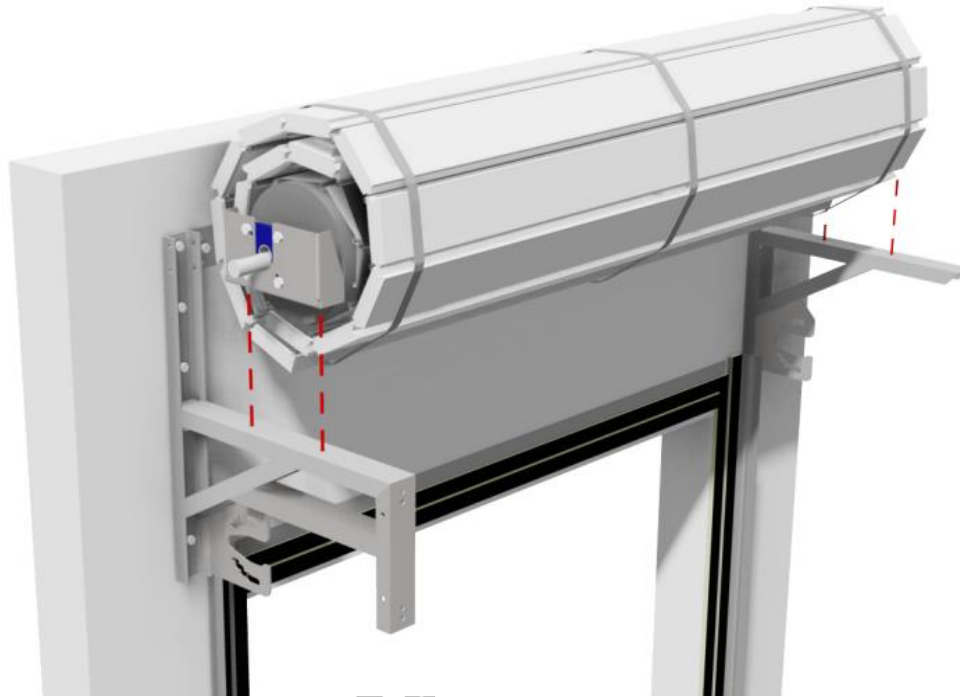
Place the forks of the forklift at +/- 1/3rd of the width of the curtain (this may require a 2<sup>nd</sup> forklift), paying attention to possible support points marked on the pallet. Raise the whole thing using the right lifting equipment. Position the bearings above the brackets and lower them in a controlled manner.

**ATTENTION:** Check that the roll-down protection is not blocked. If this is the case, it must be repaired! See Roll-down Protection Data Sheet for further instructions.



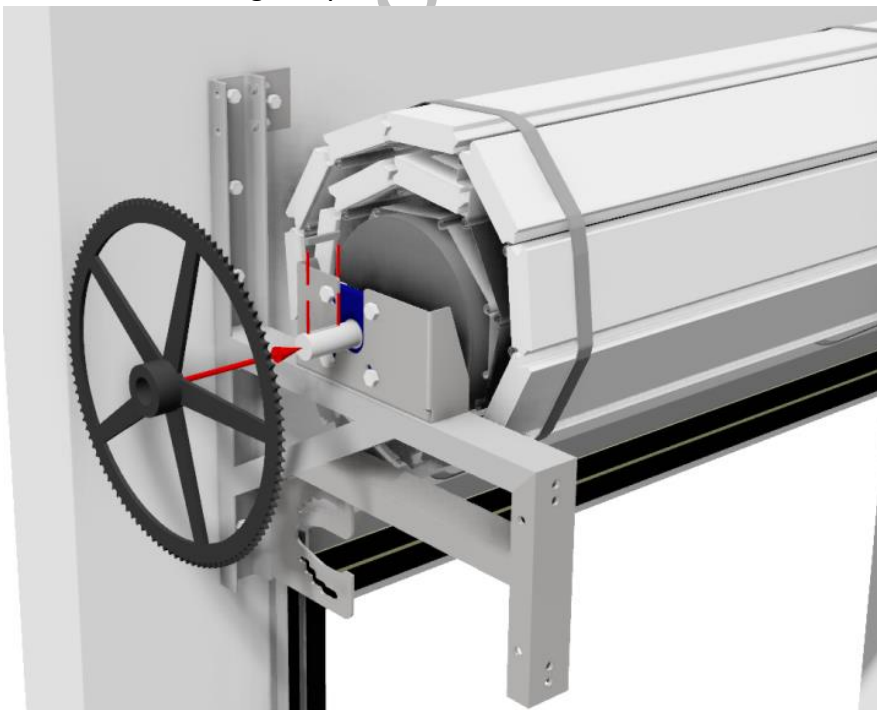
### Step 4c: Mounting the curtain + barrel

Check that the shaft is mounted parallel to the wall. Divide the space between the barrel and the brackets left and right. Tighten the mounting bolts and the locking screws of the bearings.



### Step 5: Mount the sprocket wheel

On the motor side, insert the key into the shaft. Then slide the sprocket wheel onto it with the front side facing away from the roller.





## Step 6a: Mounting of motor and tensioner (motor bracket)

Check that the limit switch housing is in the correct position: it should not touch the chain. Mount the control box and connect it to the power supply including the battery (if supplied) and the roll-down protection.

Attention: any other components may only be connected in step 10 of this manual!

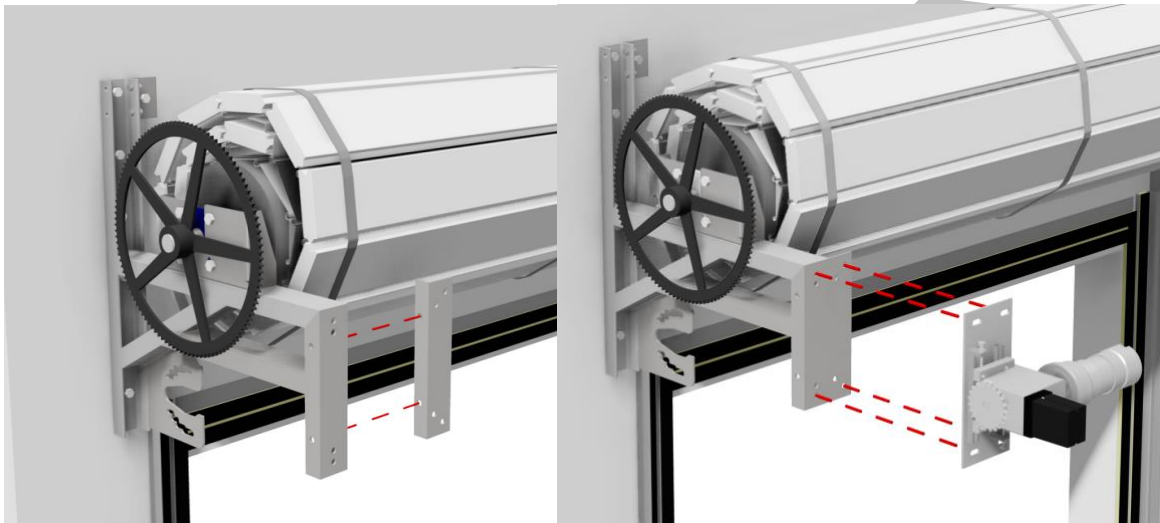
Check that the direction of rotation corresponds to the knobs in the control box at the connection to which the door is to be adjusted.

Place the sprocket wheel onto the motor shaft with the front side facing the motor.

The motor can now be mounted onto the tensioner with the corner strip, with the supplied fasteners in the middle position of the tensioner's (motor bracket) adjustment range.

Mount it against/onto the bracket.

Align sprocket wheels both horizontally and vertically, and secure them with the locking screws.



Property of

## Step 6b: Mounting and tensioning of the chain

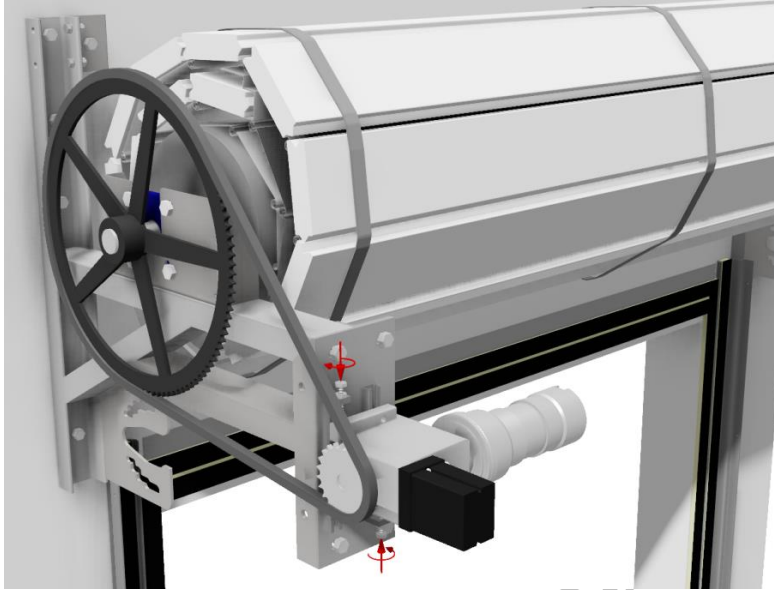
Place the chain over the sprocket wheels and mark the required length, then remove the chain.

Cut the chain to the right length and place it on the sprockets using the supplied shackles.

When tensioning the chain, make sure that it is not overtightened.

If the chain tension is insufficient, the roll-down protection can be activated due to the slack in the chain.

After tensioning the chain, check that the sprocket wheels are still correctly aligned.



Property of Metacon-Next B.V.

## Step 7: Removing the film and lashing straps

At the end of this step, the film and the lashing straps around the curtain and the pallet may be removed.

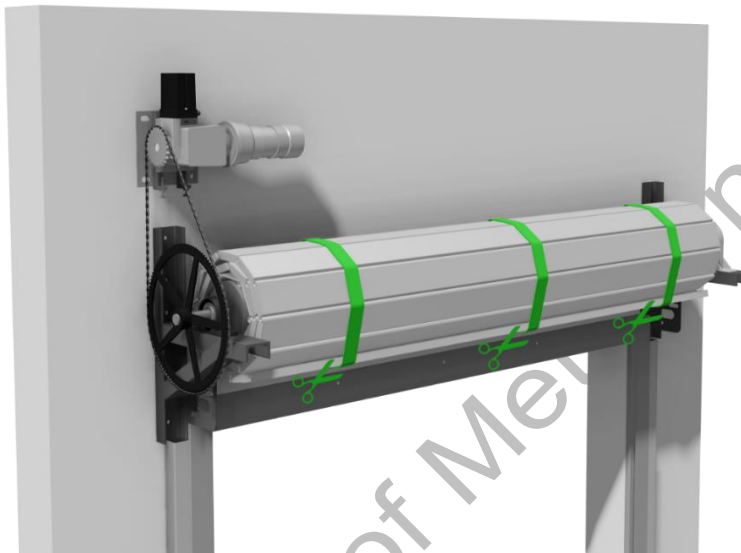
**Attention:** This may only be done if electrical power/a voltage is present on the installation and all previous steps have been completed.

All fasteners must be correctly mounted and the chain properly tensioned.

Lower the pallet in a controlled manner (using the foam blocks) to ensure that the roll-down protection cannot be blocked by the rotation of the shaft.

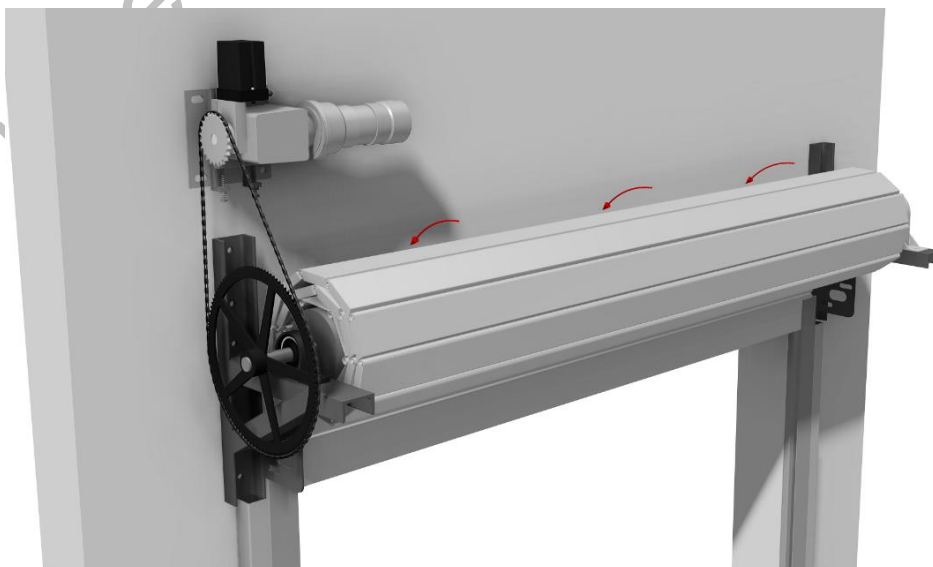
**ATTENTION: Check again that the roll-down protection is not being blocked. If it is being blocked, this must be corrected! See Roll-down Protection Data Sheet for further instructions.**

The curtain can now be released by removing the lashing straps.



## Step 8: Positioning the curtain in the guides

Lower the bottom part of the curtain into the guides. Check that the curtain has sufficient (approx. 5mm) clearance to the inside of the guide on the left and right.

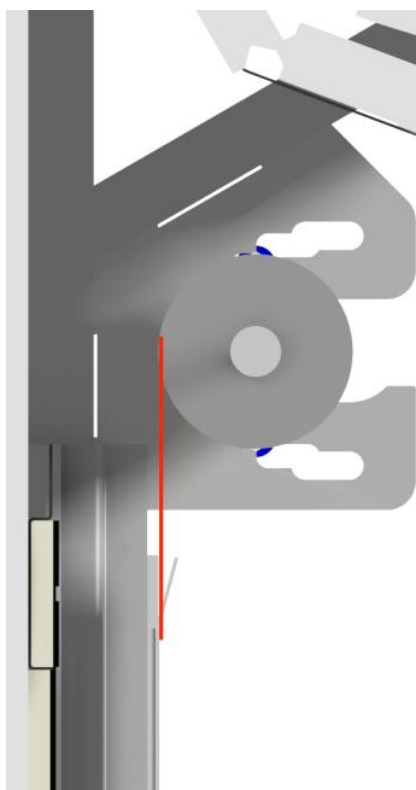
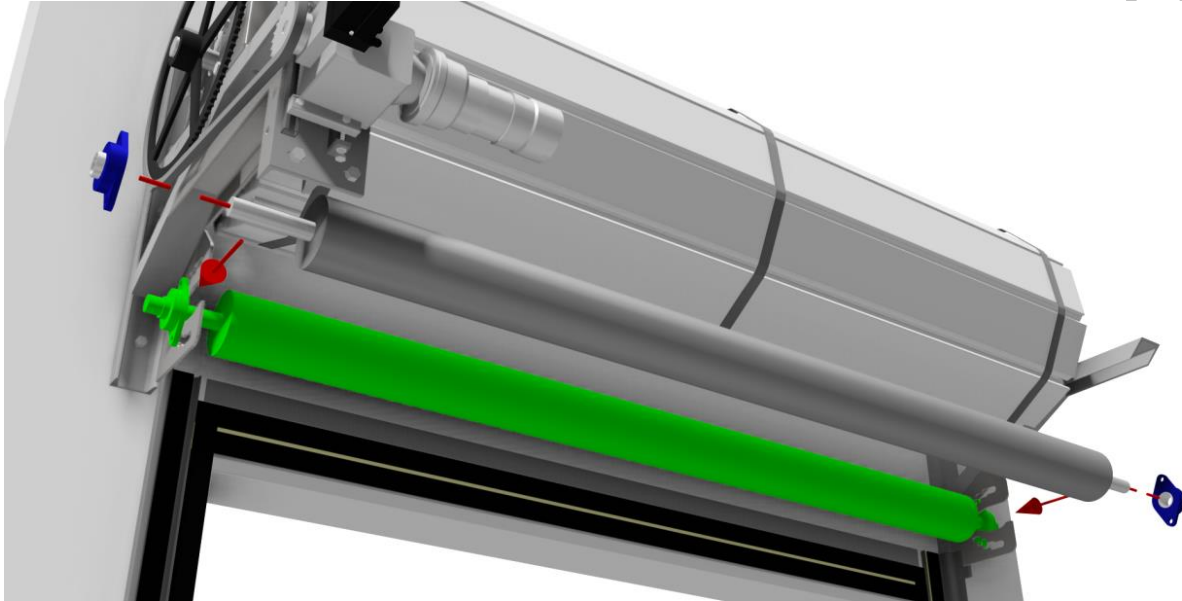


## Step 9: Installing the pressure roller

Degrease and oil the shafts, then slide the adjusting rings over the shafts and tighten them by hand with the locking screw.

Place the pressure roller into the bearing plates and divide the space on the left and right between the pressure roller and the bearing plates.

Slide the bearings over the shafts, against the bearing plates and fasten them with the bolts and nuts.



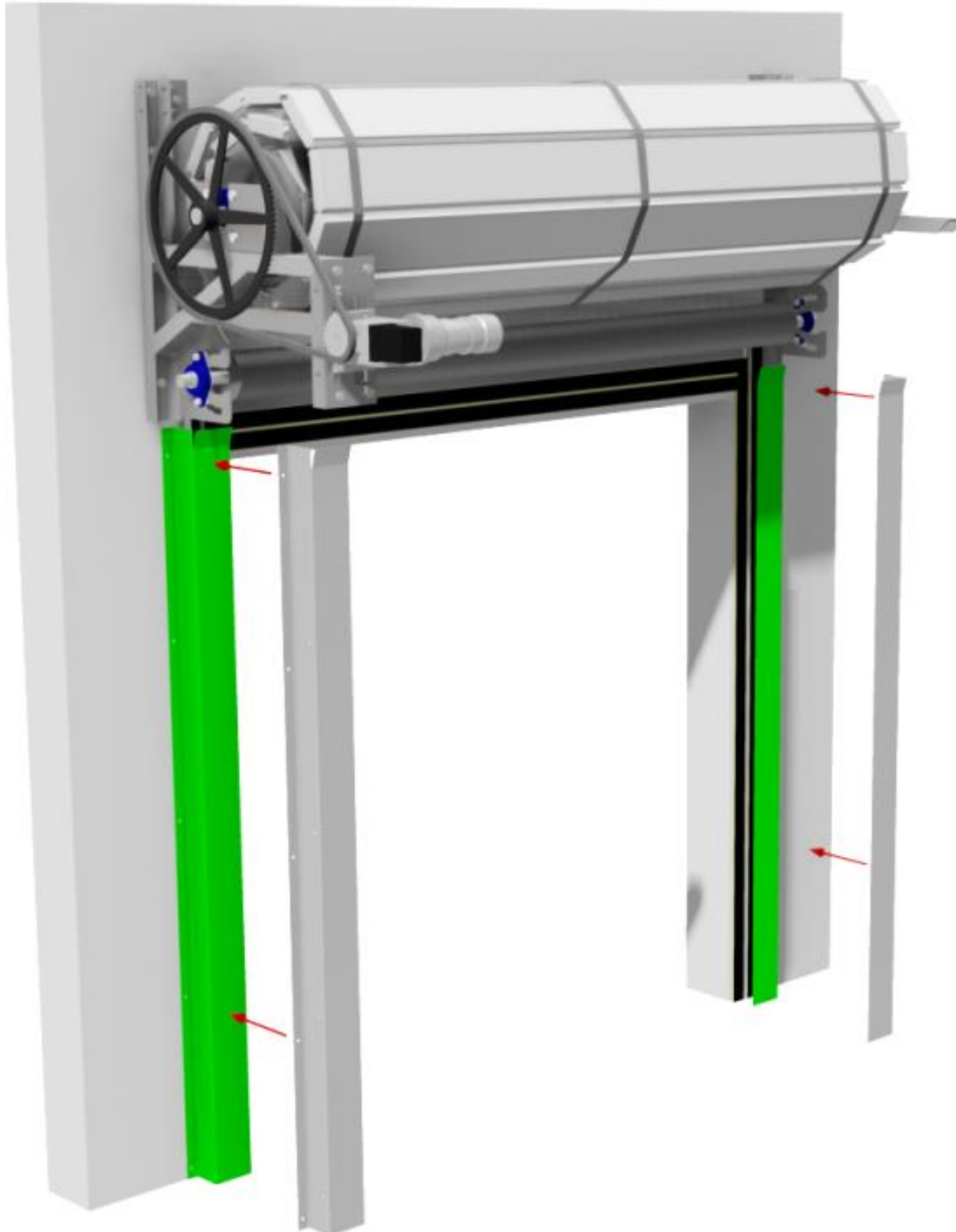
The tangent plane of the pressure roller must be in line with the front of the guide; it must not be positioned closer to the wall.

Slide the adjustment ring against the bearings and tighten the locking screws. Tighten the hexagon socket screws of the bearings.

Check that the pressure roller is parallel and level, readjust if necessary.

## Step 9: Installing the outer part of the guide

Install the outer part of the guide as shown in the drawing. Check the width size. Check that the seals are parallel and level.



## Step 10: Setting the end positions

**Attention: the push buttons in the control box override all fuses and limit switches!**

First of all, open the roller shutter before you start setting the limit switches.

This is to make sure that the roll-down protection is not being blocked.

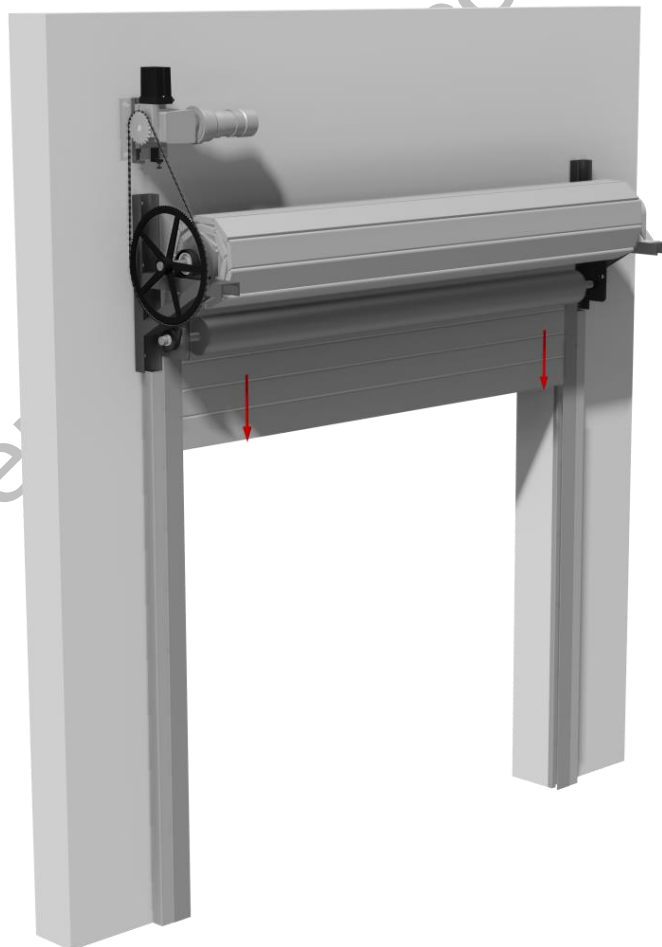
See the supplier's manual for instructions on setting the end positions.

For normal operation, the standard limit switches are set. When setting the bottom end position the complete curtain must be stacked; the curtain must not hang from the wall baffle.

Mount the control box at the height shown in the drawing, conceal the cables and secure them to avoid them getting between the moving parts.

After testing and adjusting the limit switch positions, the next step is to connect and calibrate any components and safety devices supplied. Connect one component and test it to see if it functions correctly.

Then connect and check the correct functioning of the next component; repeat this until all components are connected and tested.



## Step 11: Checking the roller shutter

Check that the CE sticker is clearly visible and corresponds to the installed door. Open and close the roller shutter twice using the film probe on the control box to check that it is working correctly.

**Proceed with Section 9: First use.**



## 9 Initial use

The first use is performed by the installation company. This party must complete the document; "Appendix A" immediately after installation and leave it at the door.

The door should be checked against the check/maintenance list and each step should be ticked off and signed incl. name in block letters.

The door has a sound pressure level of 70 dB(A) or lower when commissioned.

When this check is positive on all points, the door can be delivered to the user.

## 10 Maintenance, faults and repairs

### 10.1 Regular maintenance

Each door is provided with an identification stating the type of door and the order number and position number. In case of any malfunction, this number should be communicated to the supplier. Metacon-Next keeps a technical file in the archive with reference to the order number and position number.

For the correct functioning of the installation it is necessary to have regular maintenance carried out. In order to claim on the manufacturer's warranty, maintenance must be carried out at least once a year under "normal" use. Maintenance should be performed by a competent installer. Metacon-Next recommends entering into a maintenance contract with the supplier. **Insufficient maintenance may lead to an unsafe situation. See EN 12635.**

The following steps should be checked during maintenance (and first use);

Appendix B "Door type - maintenance instructions".

### 10.2 Cleaning

The frequency with which the door is cleaned is up to the user. It is recommended that once a year the door be wiped only with a damp cloth to prevent any damage. Other cleaning methods will result in termination of the manufacturer's warranty. Make sure that electrical parts do not come into contact with moisture during cleaning. Note that climatic conditions may lead to a changed cleaning frequency.

### 10.3 Faults and repairs

During maintenance and repair work, the door must be powered down. Troubleshooting and repairs should be carried out by competent installers. In case of a malfunction, the supplier should be contacted. If the supplier cannot solve the malfunction, Metacon-Next can be contacted.



## **11 Storage and transport**

The parts are packed for transport on a pallet in foil or in a plastic sleeve, so that they are protected from the weather during transport. The pallet should always be stored in a dry and frost-free place. To avoid condensation in the packaging, please open the packaging upon receipt. Transport is relatively easy as Metacon-Next only delivers semi-finished products. If the package weighs more than 20 kg, it must be moved with suitable lifting equipment. Unloading the goods must also be carried out using suitable equipment. Unless stated otherwise, packages can be unloaded with a forklift.

## **12 Environment and disposal**

The locally applicable environmental regulations must be observed (separate disposal of environmentally harmful substances). For de-installation of the product, the reverse sequence of the installation instructions can be applied (see chapter 8).

Property of Metacon-Next B.V.

## Appendix A: "RGC EI(1) 60 – EW 60 - Installation data"

<b>Door data</b>	
• Order number	.....
• Position	.....
• Serial number	.....
• Location of the door	.....
• Date of installation	.....
<b>Manufacturer's data</b>	
• Name	Metacon-Next B.V.
• Address	Zuidbaan 450 2841 MD Moordrecht The Netherlands
• Phone number	+31 (0) 182 23 15 25
• E-mail	info@metacon-next.com
• Website	www.metacon-next.com
<b>Details of the installation company</b>	
• Company name	
• Phone number	
• E-mail	
• Website	
<b>Drive data</b>	
• Manufacturer	
• Product number	
• Serial number	
<b>Control data</b>	
• Manufacturer	
• Product number	
• Serial number	
• Software version	
<b>Safety equipment data 1</b>	
• Manufacturer	
• Product number	
• Serial number	
• Software version	
<b>Safety device data 2</b>	
• Manufacturer	
• Product number	
• Serial number	
• Software version	

This door must be used according to the instructions described in Chapter 4 of the operating manual.

## Appendix B: "RGC EI(1) 60 – EW 60 - Maintenance Instructions"

1.  Identify the door by means of a type of identification
2.  Start with an overall visual inspection
3.  Close the door completely
4.  Carry out the overall visual check again
5.  Disconnect the control unit from the mains supply
6.  Checking that all fasteners/points are present/used and that they are secure
7.  Check rails for damage and/or wear
8.  Check panels and wire ropes for damage and/or wear
9.  Check that the armor is still properly aligned in the rails (the space between the outside panel and inside rails should be equal on the left and right)
10.  Checking chain transmission for chain tension, wear and alignment
11.  Check that the limit switches are still correctly adjusted;
  - Top position: underside of armor maximum equal to day height
  - Bottom position: panels stacked (door leaf must not hang on the flame hook)
  - Overclose adjustment: check that the door closes properly and that the flame hook drops into the wall hook
12.  Check safety components for proper operation
13.  Control of closure at fire alarm
14.  Check electrical cabling for damage and fastening
15.  Check the batteries in the control unit for function and delivery date, they should be no more than 2 years old (ambient temperature may shorten service life)
16.  Checking that the bearings, adjusting rings and gears are secured
17.  Check electrical closing time measurement, note in logbook
18.  Check for gravitational closure, plus time measurement, record in logbook
19.  Read out cycles/movements in control box, note in logbook
20.  Record performed actions, observations, and replaced parts in the logbook
21.  Check if the documents are present at the door

**Periodic replacement of the following components is necessary for the continued proper functioning of the door with the declared performance give;**

**Replaced after;**

Intermediate blocks\*  
Duoflap (smoke doors)  
Rubber liquid barrier  
Palusol

	cycles	year
Intermediate blocks*	1000	1
Duoflap (smoke doors)	1000	3
Rubber liquid barrier	1000	3
Palusol	25000	25

**\*Broken or loose intermediate blocks should always be replaced.**

### Appendix C: "RGC EI(1) 60 – EW 60 - Maintenance Log"

Door checked*	Parts replaced	Comments / recommendations	Technician name	Date	Signature

\* According to Chapter 10 of the operating manual

Property of Metacon-Next B.V.